

Oceanographic Swivels



A better Oceanographic Swivel

- Full Ocean Depth Rating
- Two Ton Safe Working Load (4000 lbs or 1800 kg)
- Dual ball bearings
- Oil Filled
- Pressure compensated
- Stainless 316 Construction
- Load Test Certificate Provided



OPEN SEAS INSTRUMENTATION INC

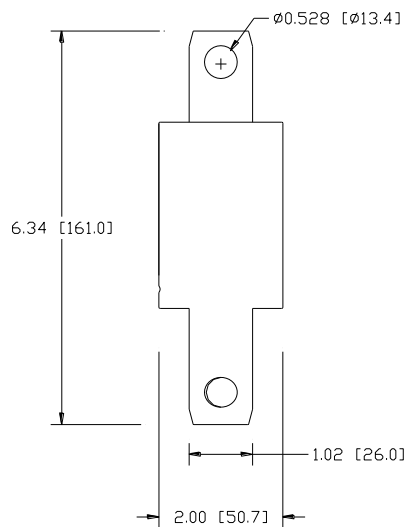
124 W. Petpeswick Rd, Musquodoboit Harbour
NS Canada B0J 2L0

Tel: +1 (902) 889-3339 Email: openseas@openseas.com Fax: +1 (902) 889-3313
www.openseas.com

OCEANOGRAPHIC SWIVELS

Physical Dimensions

Model SW-020-050



| | |
|-------------------|---------|
| Weight in Air | 2.8 lbs |
| Weight SW | 2.0 lbs |
| Safe Working Load | 5:1 |

Rev 02/2010

Distributor: